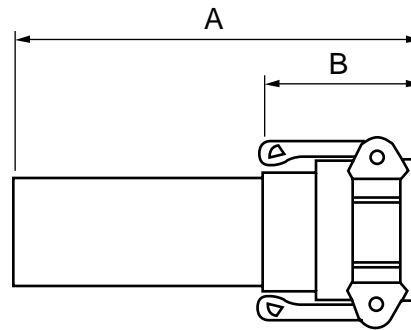


Morris Quickie Line Adapters

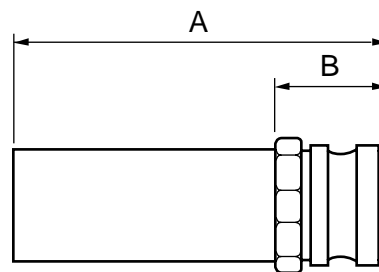
Female Adapter

Part Number	A	B
20QAL-F16	10-1/2"	3-1/8"
25QAL-F16	10-27/64"	3-1/2"
30QAL-F11	10-7/8"	3-9/16"
30QAL-F16	10-7/8"	3-9/16"
40QAL-F16	10-9/16"	4"
40QAL-F14	10-9/16"	4"



Male Adapter

Part Number	A	B
20QAL-M16	10-7/8"	3-3/8"
25QAL-M16	10-13/16"	3-13/16"
30QAL-M14	11-3/16"	3-15/16"
30QAL-M16	11-3/16"	3-15/16"
40QAL-M11	11-3/4"	4-1/2"
40QAL-M16	11-3/4"	4-1/2"
60QAL-M11	12"	4-3/4"



For Prices and Delivery

Call Toll Free: 1-800-426-1579

Toll-Free Fax: 1-800-545-1399

E-mail: sales@morriscoupling.com

internet: www.morriscoupling.com

All dimensions are nominal.



2240 W. 15th St., Erie, PA 16505
Phone: 814-459-1741